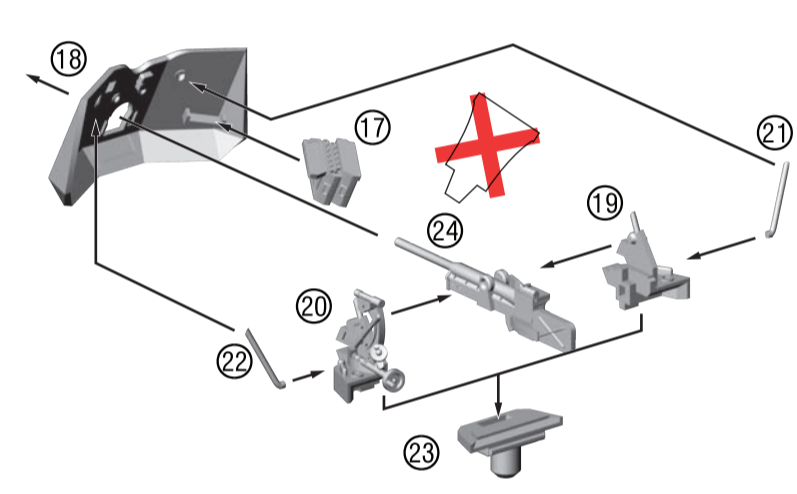
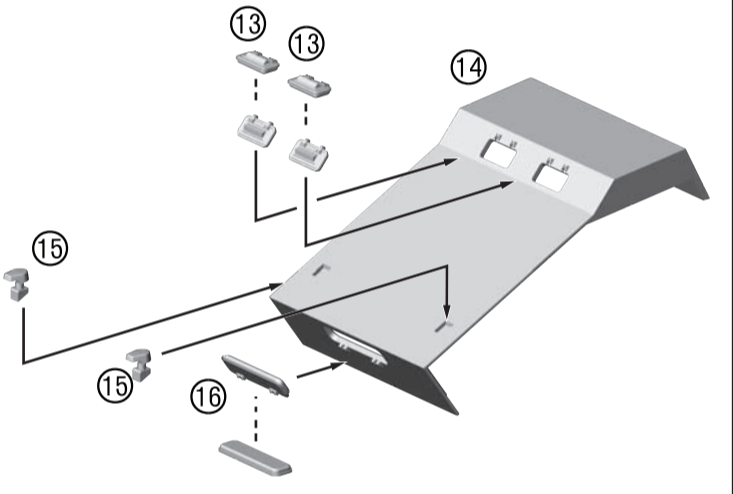
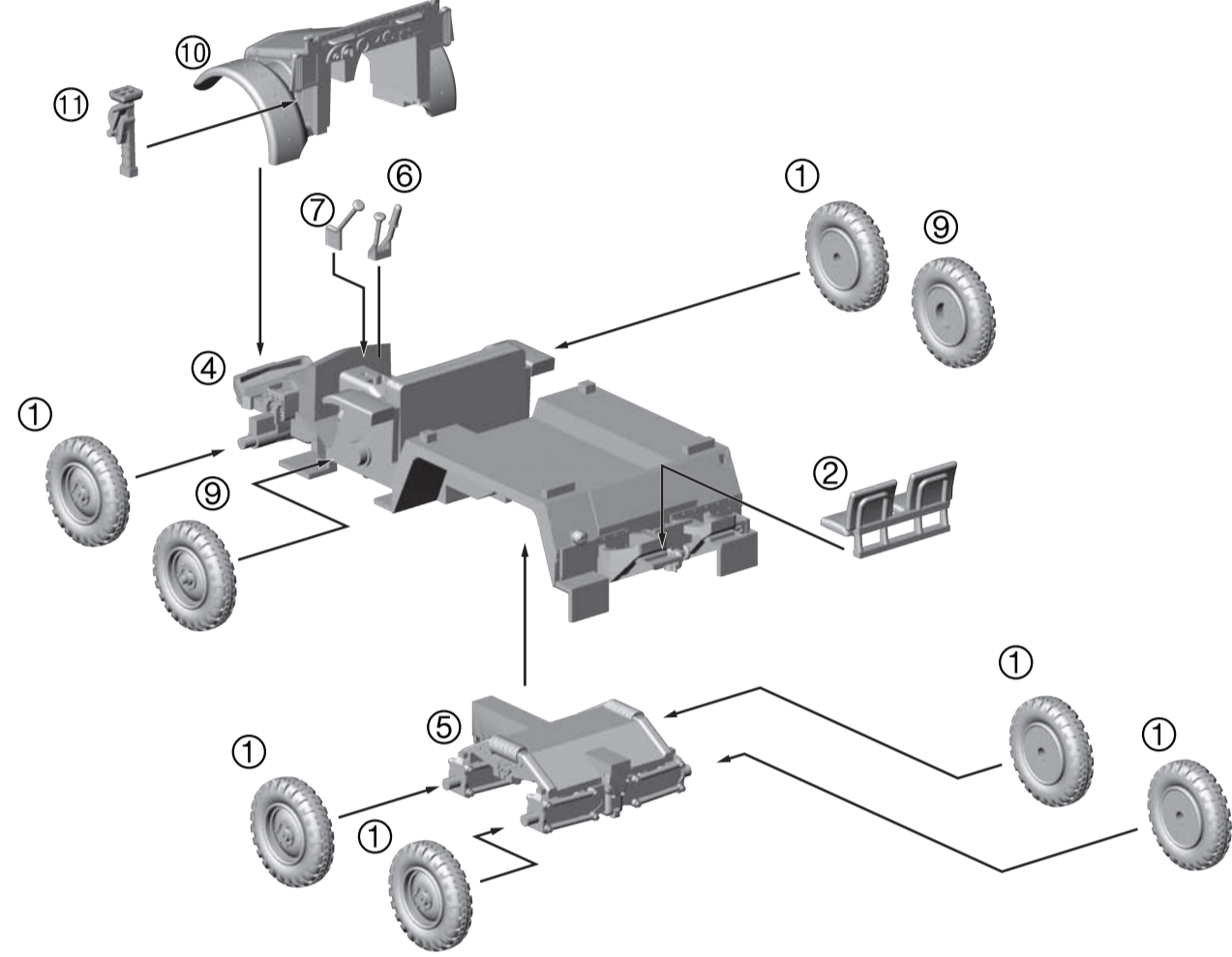
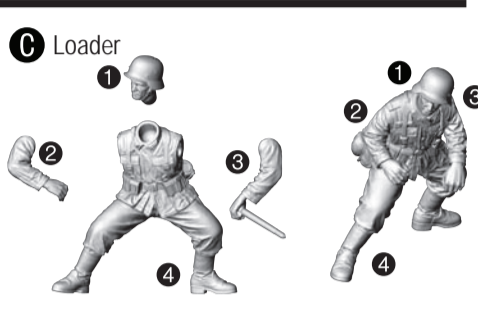
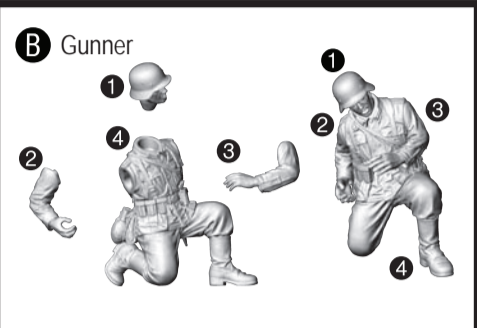
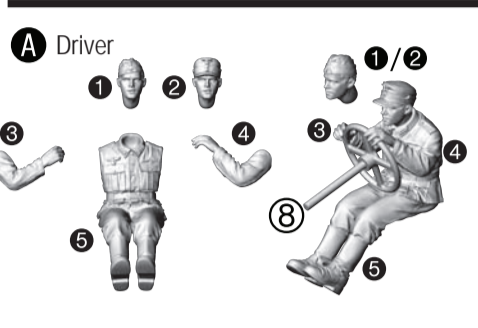
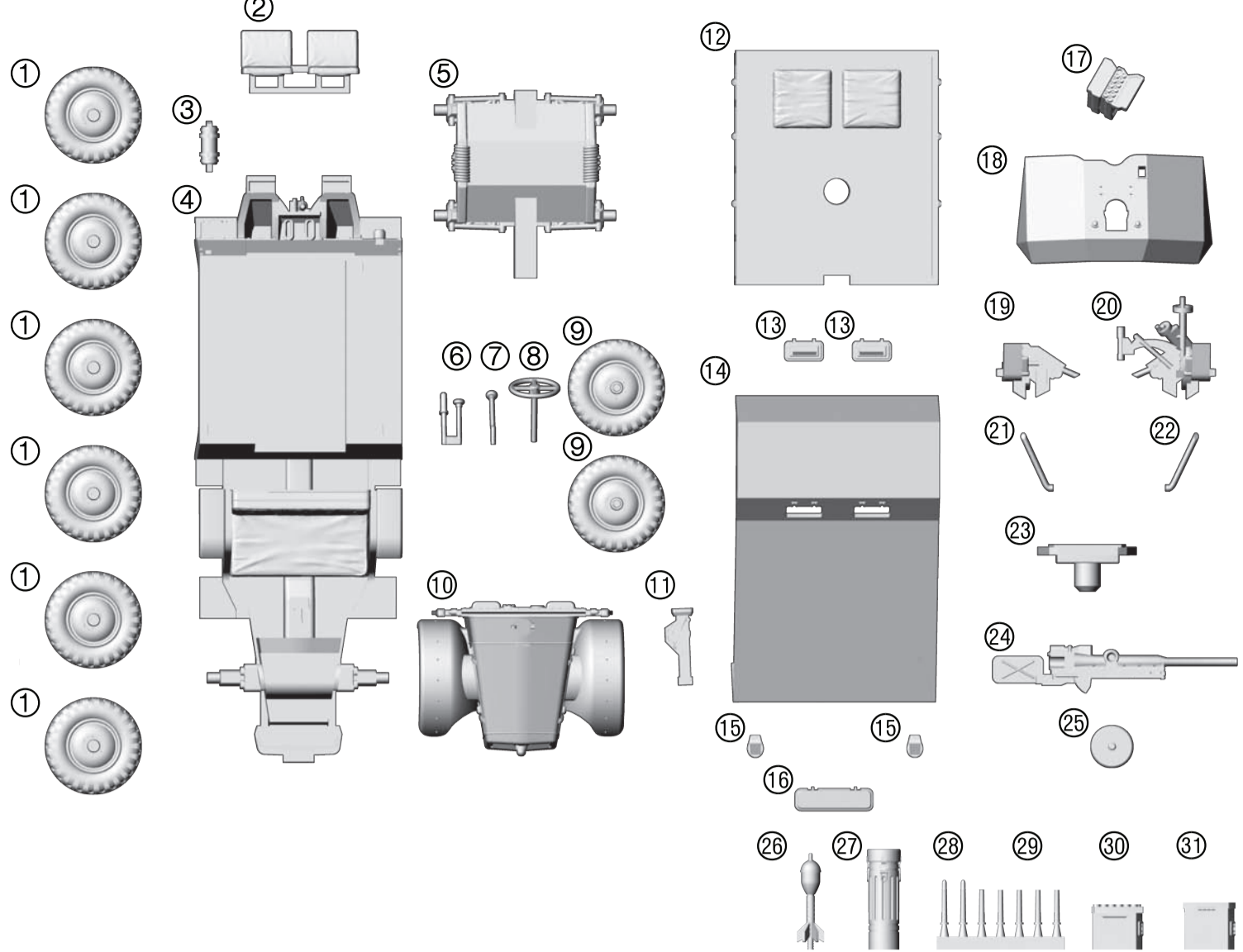


WWII German Krupp Protze Armoured Assembly Instructions

<https://www.overlordminiatures.com>
 Email: info@overlordminiatures.com
 © 2022



*Assemble front armour after installing driver.
 **Test fit driving wheel with driver before applying glue.

