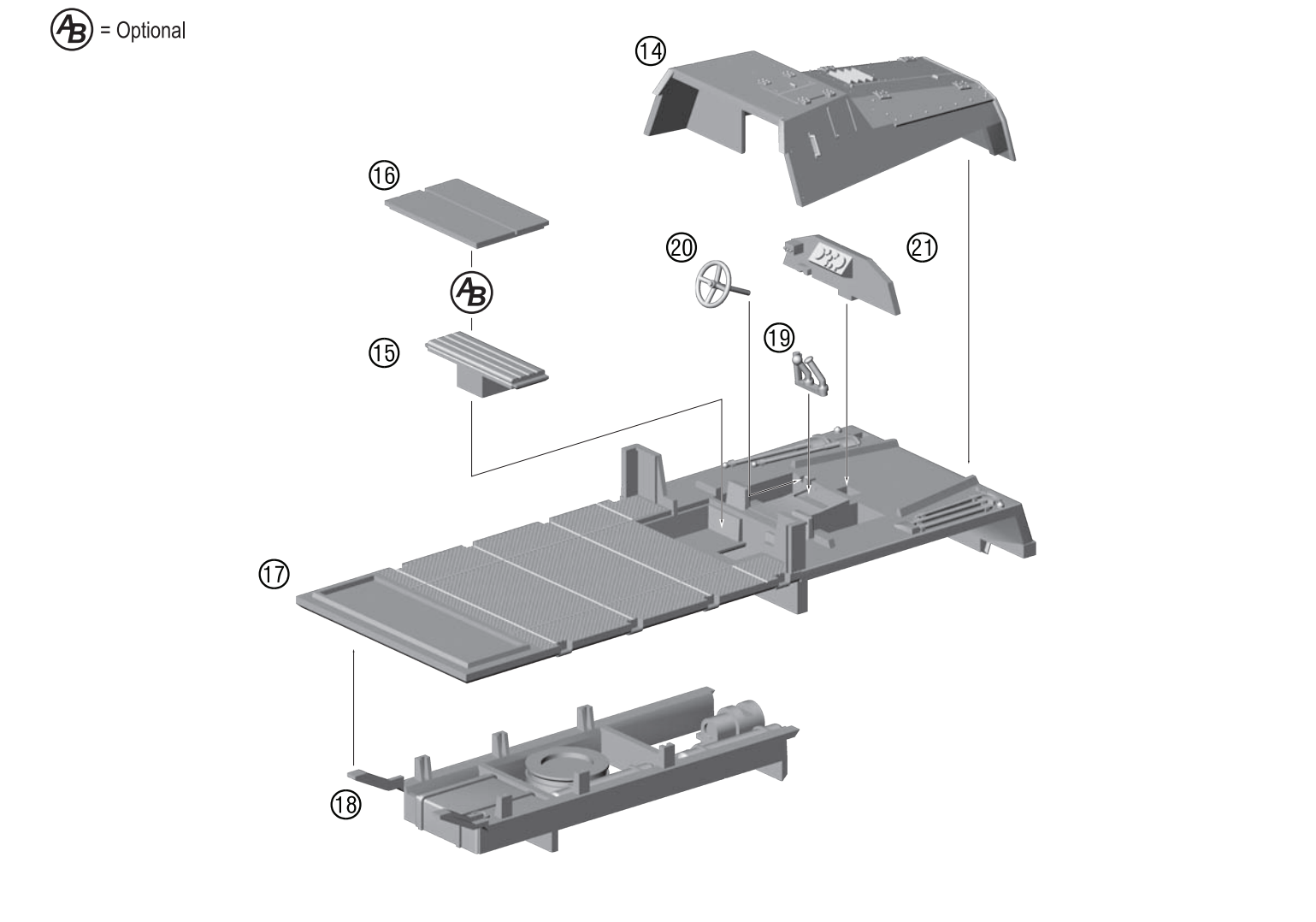
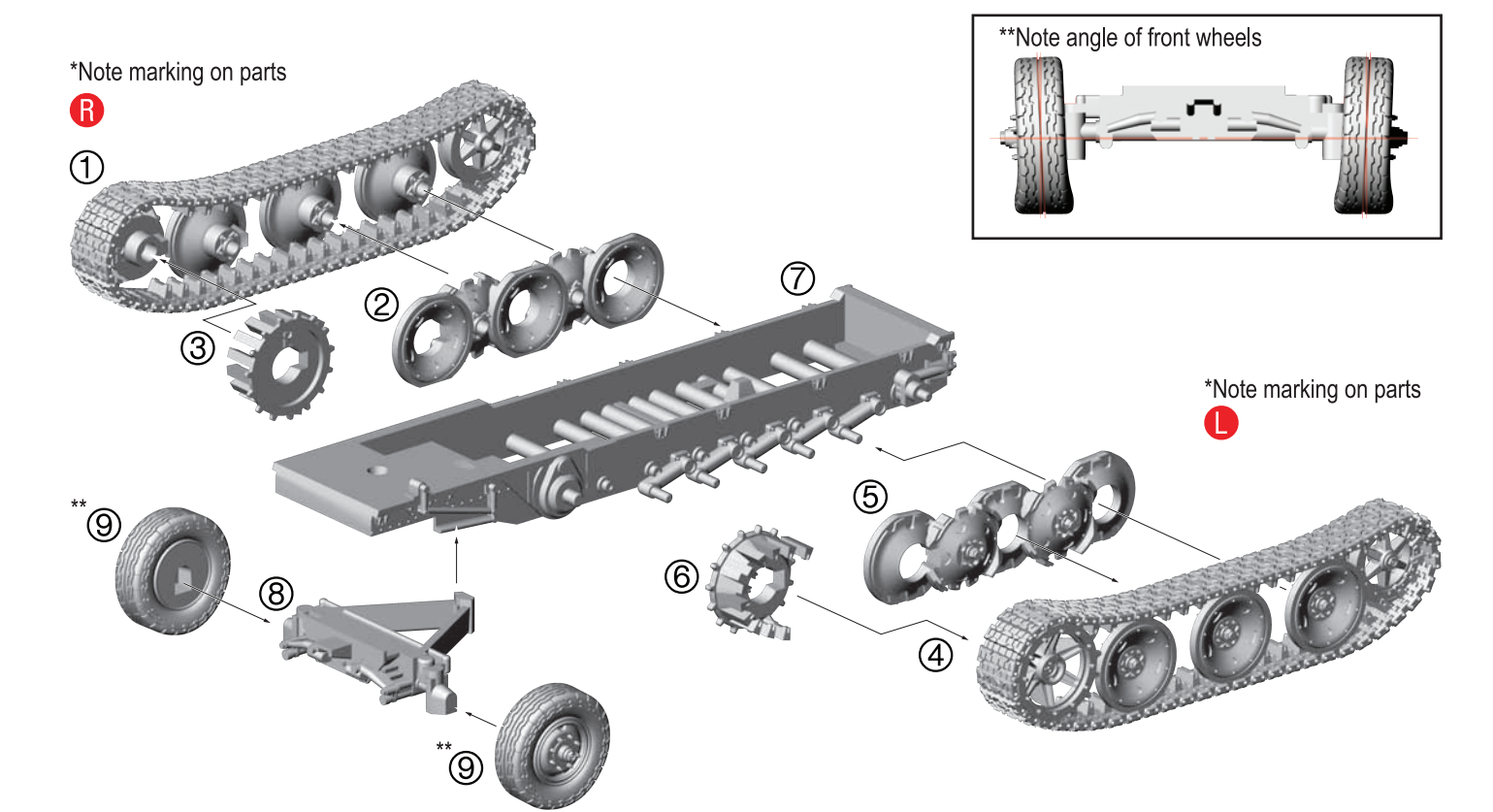
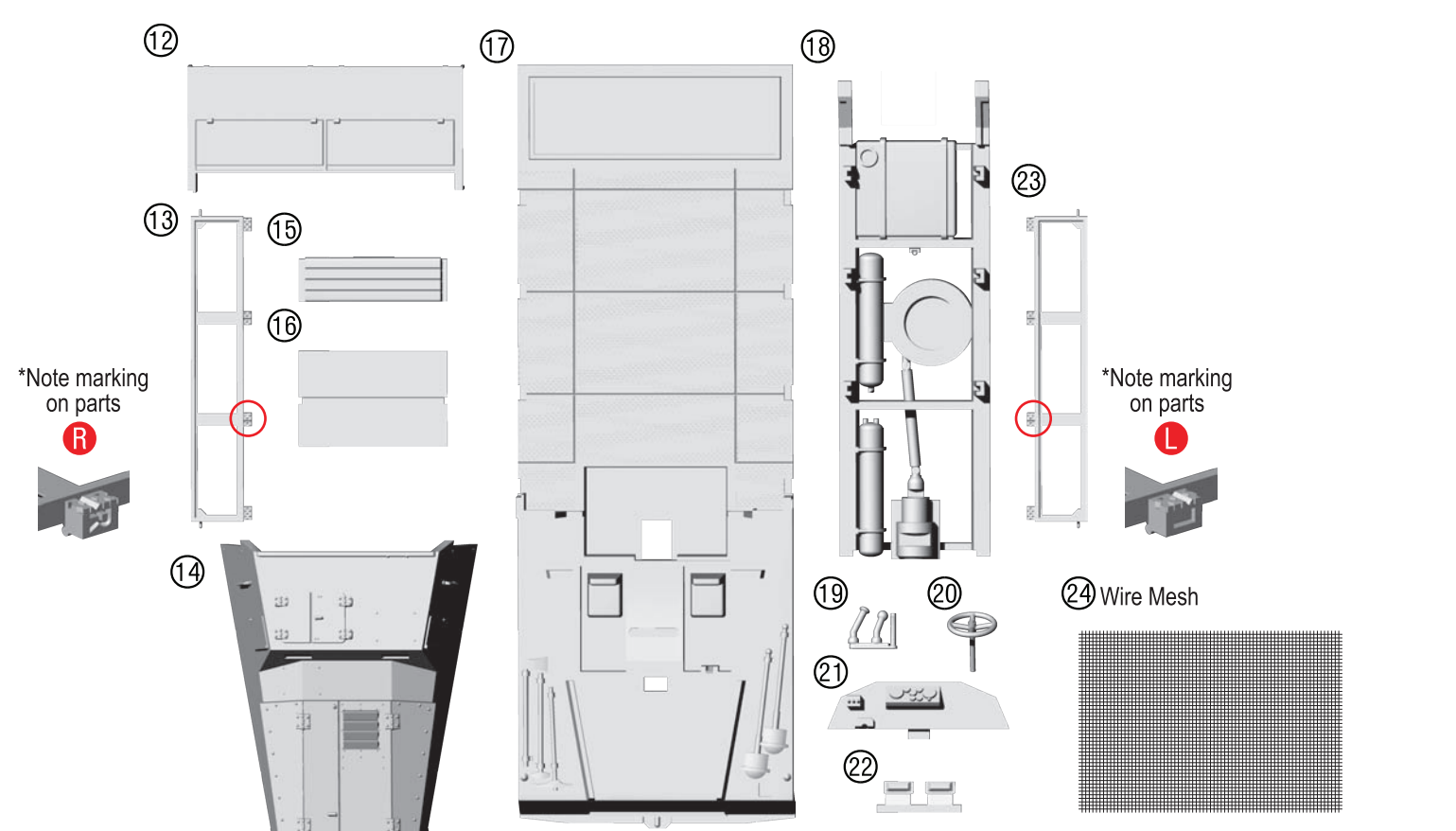
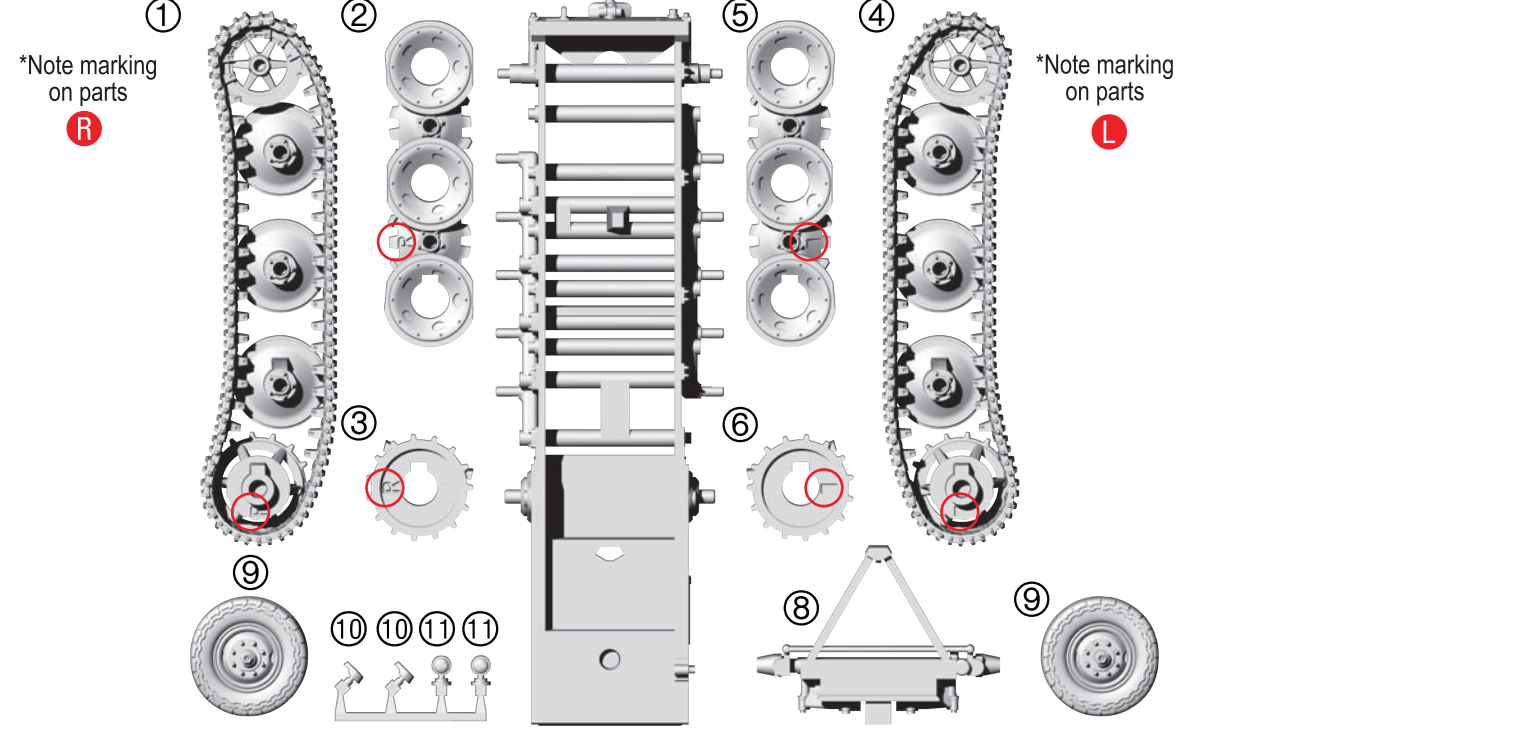




1/48 WWII German Scherzer Wehrmachtschlepper Weapon Platform Assembly Instructions

https://www.overlordminiatures.com
Email: info@overlordminiatures.com
© 2022



Cut two pieces if ㉔ wire mesh in the size of 55mm/2.17 in. by 8mm/1.48 in. You can print out this template in 1 :1 scale.

55mm/2.17 in. 8mm/1.48 in.

The following scales show 80mm and 3 inches in 1:1 scale

mm
inch

⑬ ㉓ ⑲ ㉔

Or download this FREE 3D printable Mesh Cutting Template here:
https://www.overlordminiatures.com/Products/480028sWS_SA/MeshCutter.stl

Scan QR code to download:

Using the template:
After printed out the template, stick a piece of double-sided tape on the flat surface. Stick the piece of ㉔ wire mesh provided on top.

㉔

Use a pair of scissors to cut around the template.

