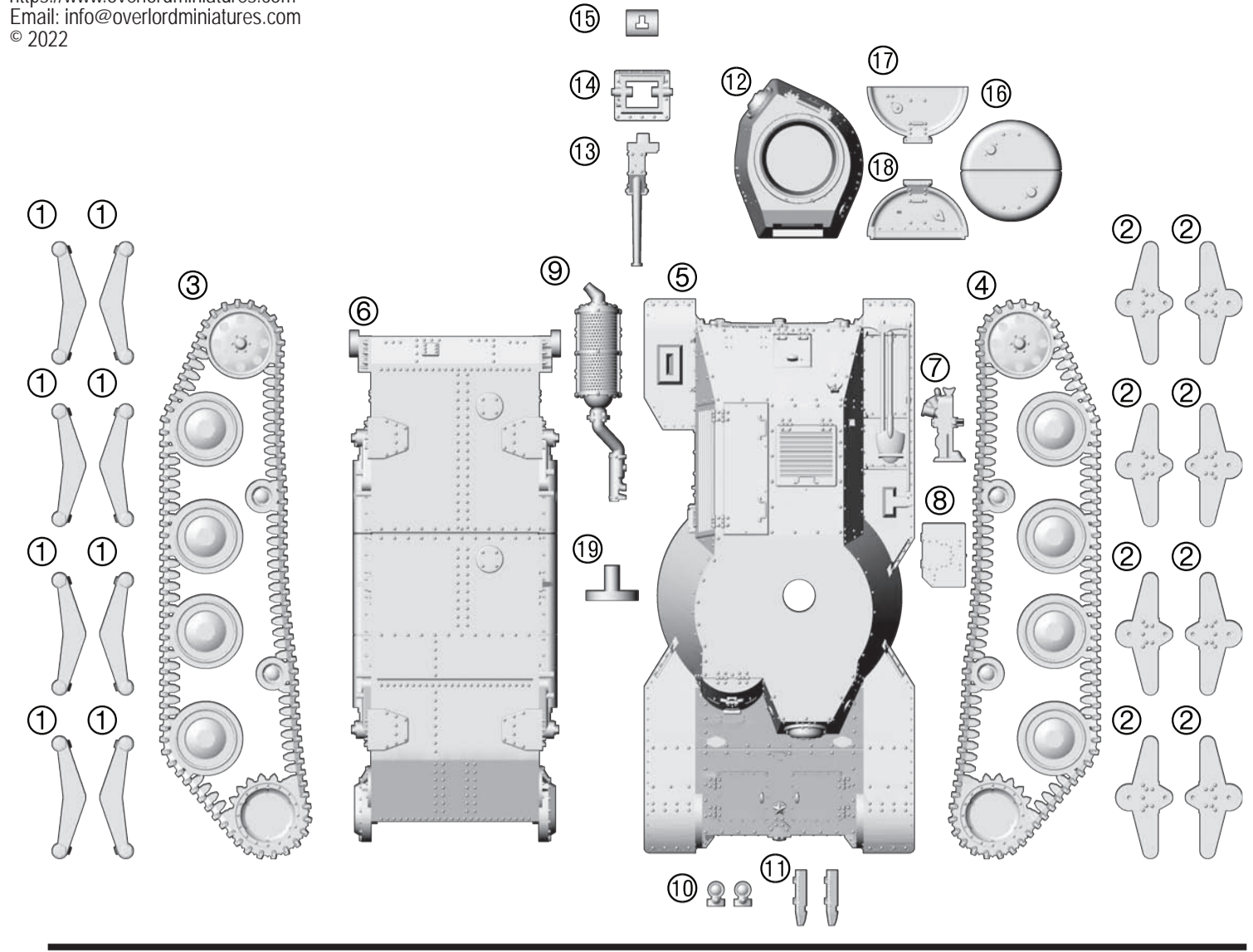
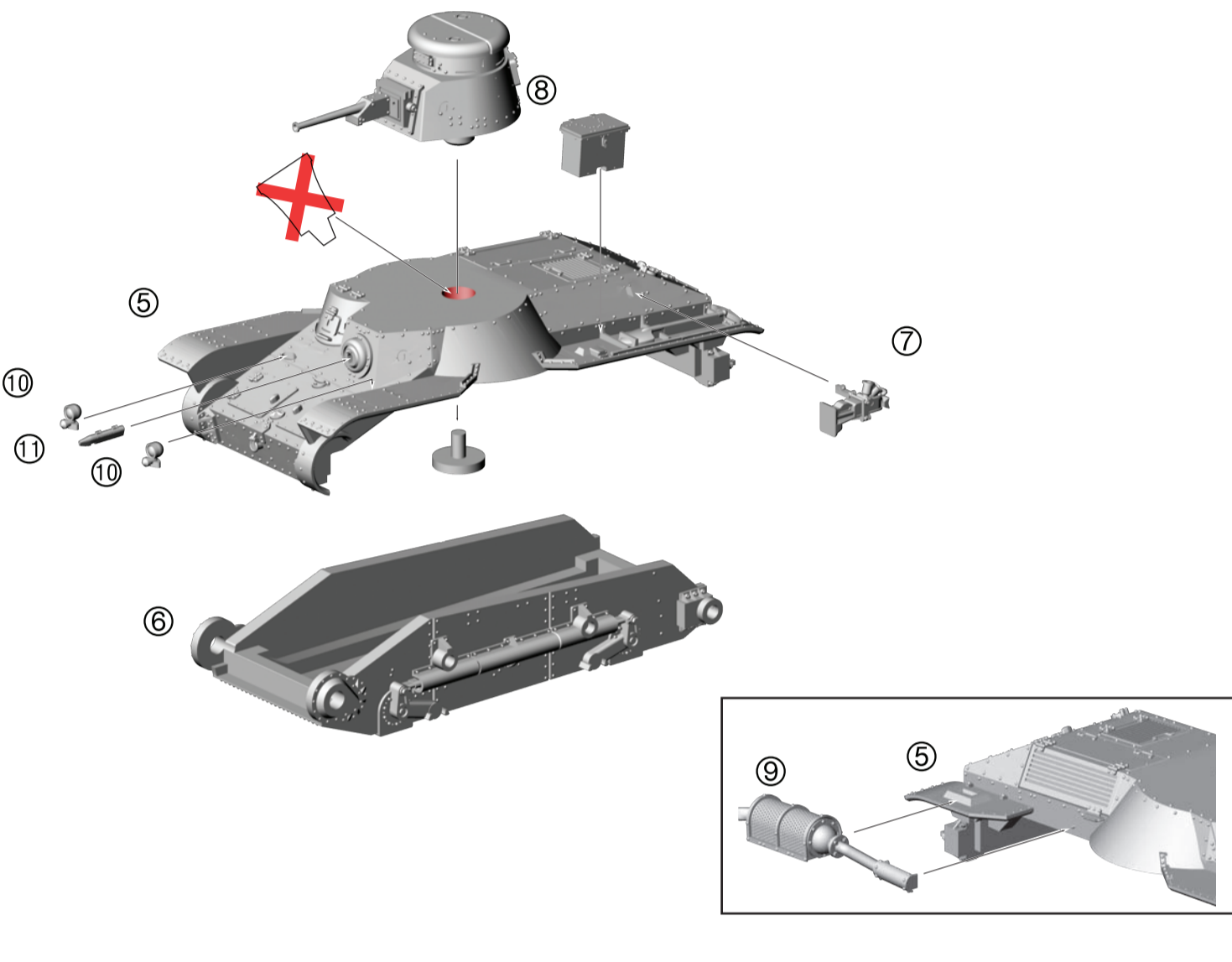
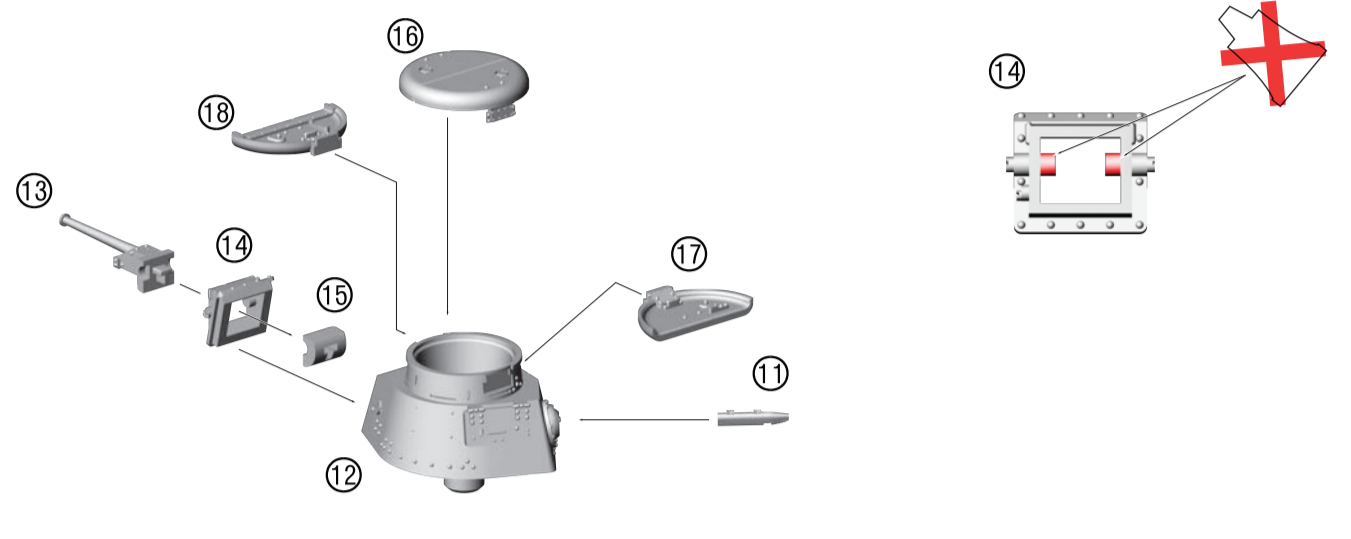


WWII IJA Type 95 Ha-Go Assembly Instructions

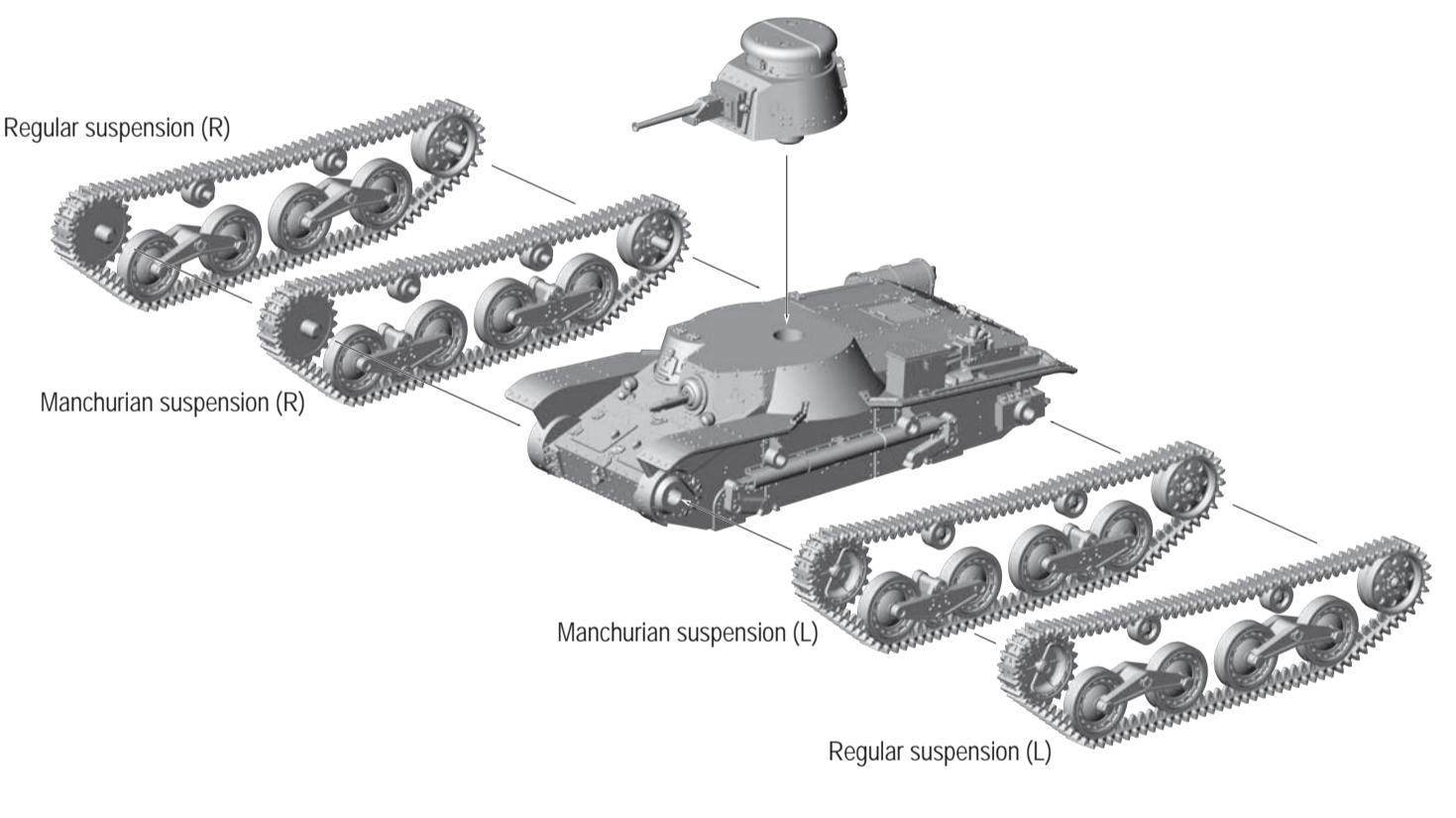
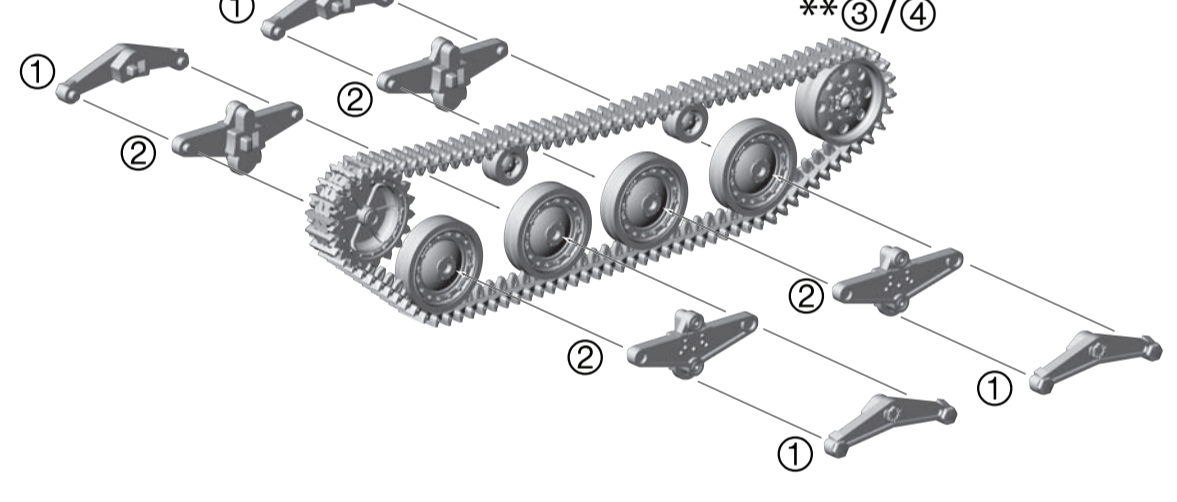
https://www.overlordminiatures.com
 Email: info@overlordminiatures.com
 © 2022



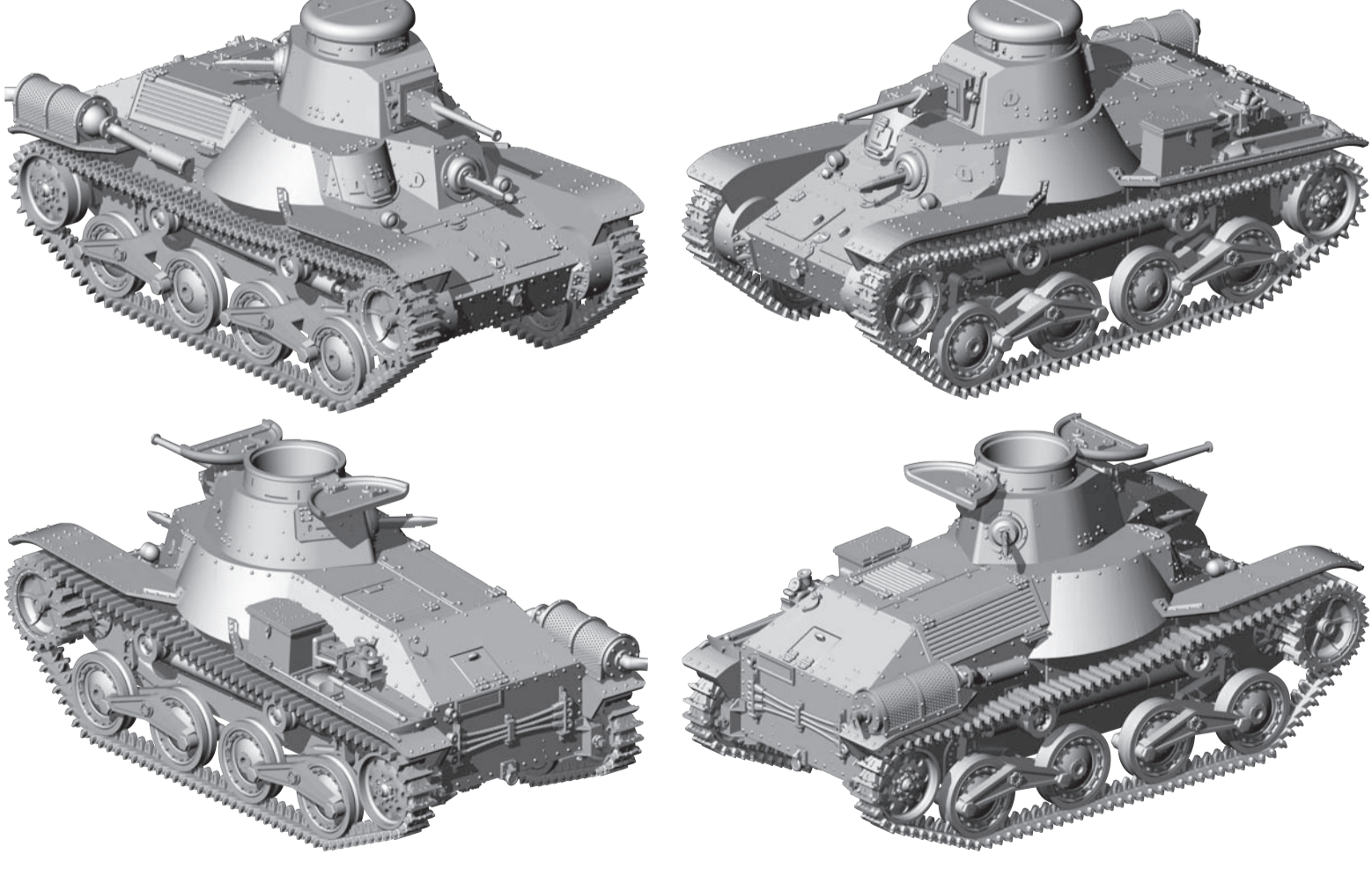
***Use 16 for closed hatch, 17 and 18 for opened hatch.



*Use 1 for regular suspension, 2 for Manchurian suspension.
 **3 for right track, 4 for left track



IJA Type 95 Ha-Go with regular suspension



IJA Type 95 Ha-Go with Manchurian suspension

