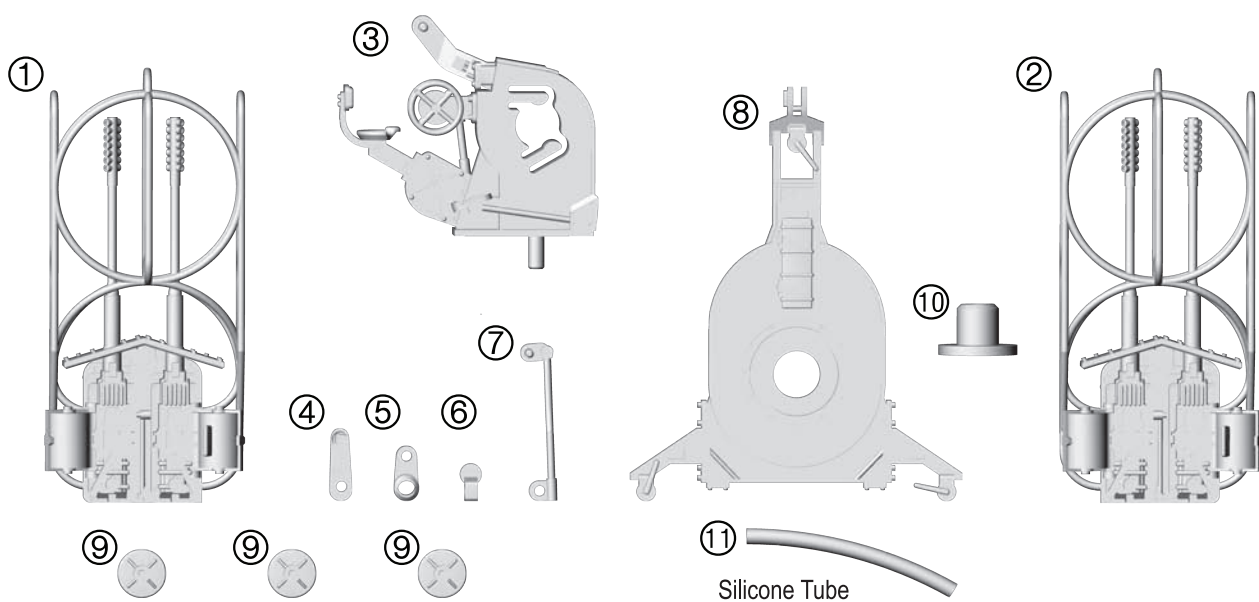


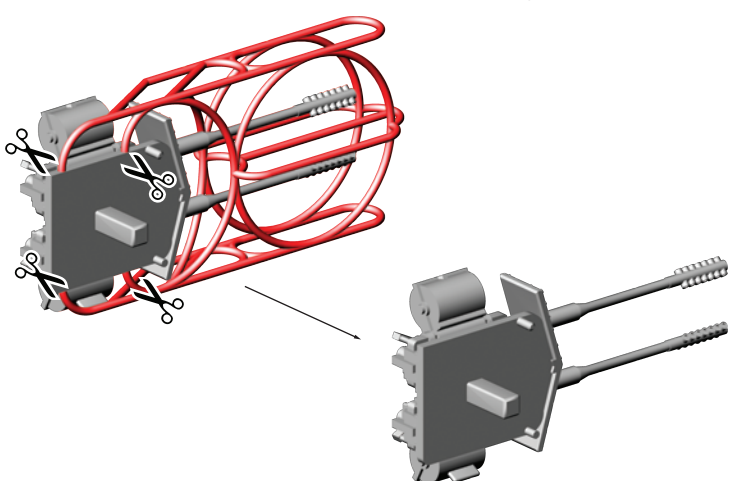


1/48 WWII German 3cm Flakvierling (3D Printed Version) Assembly Instructions

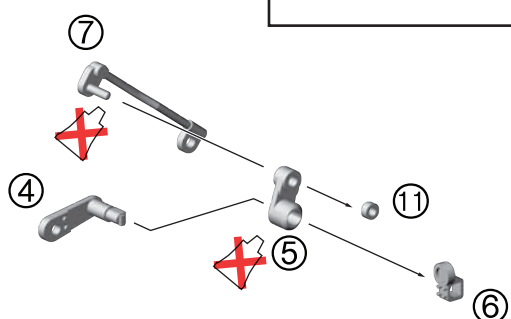
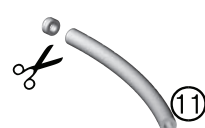
<https://www.overlordminiatures.com>
Email: info@overlordminiatures.com
© 2022



① ②
Cut four places to release part from protective cage



Cut short pieces from
⑪ Silicone Tube as stopper



① **Install Second

