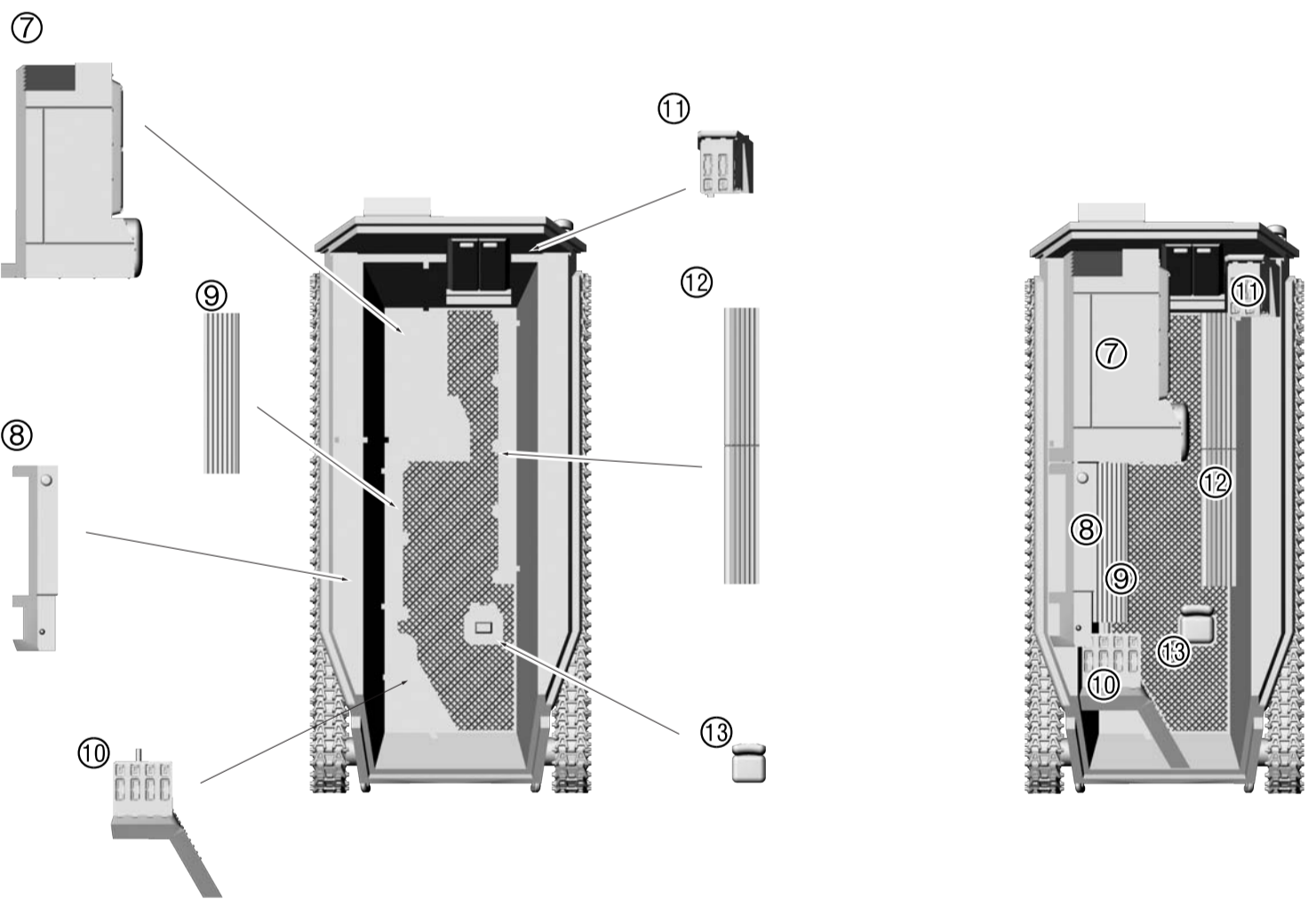
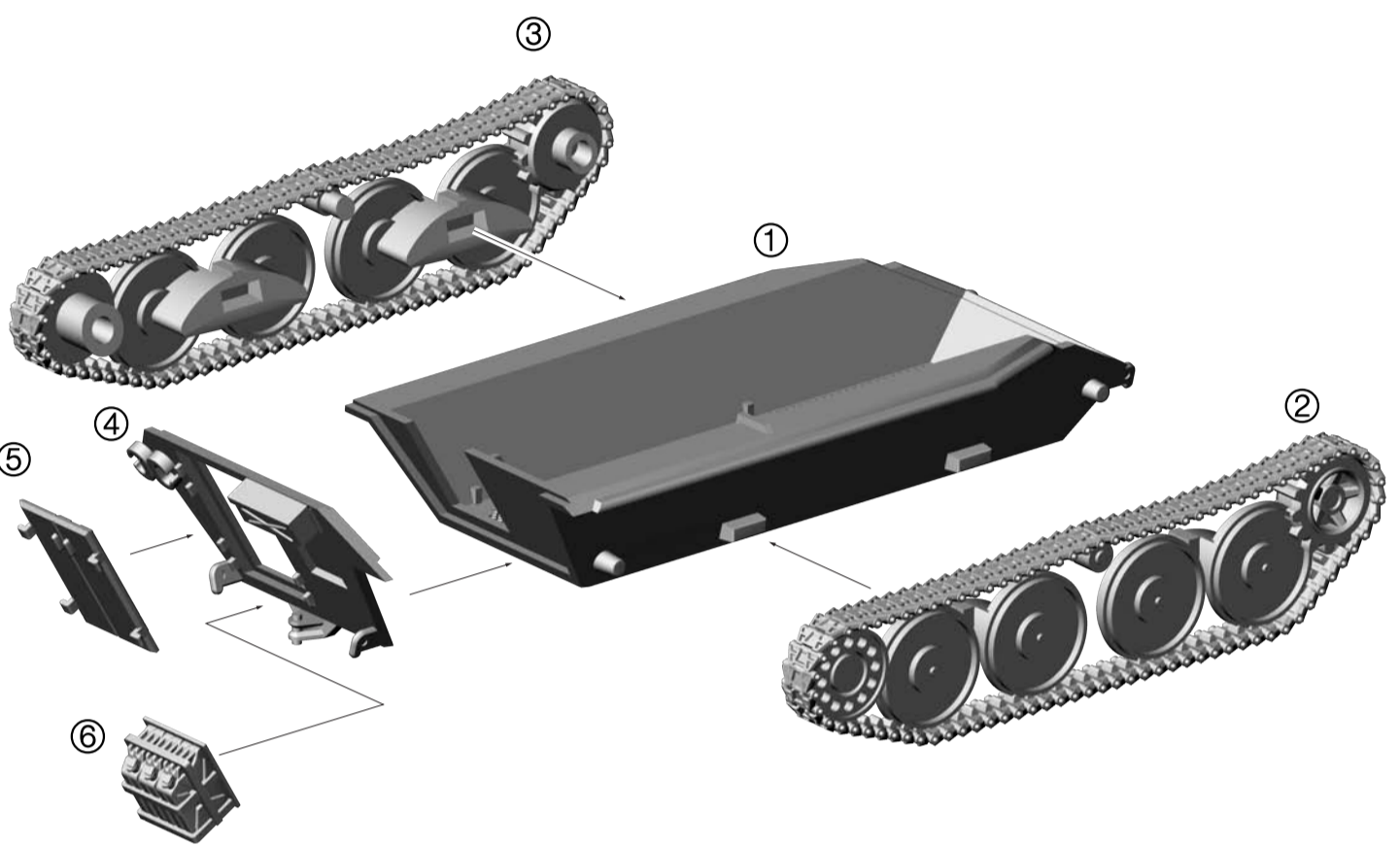
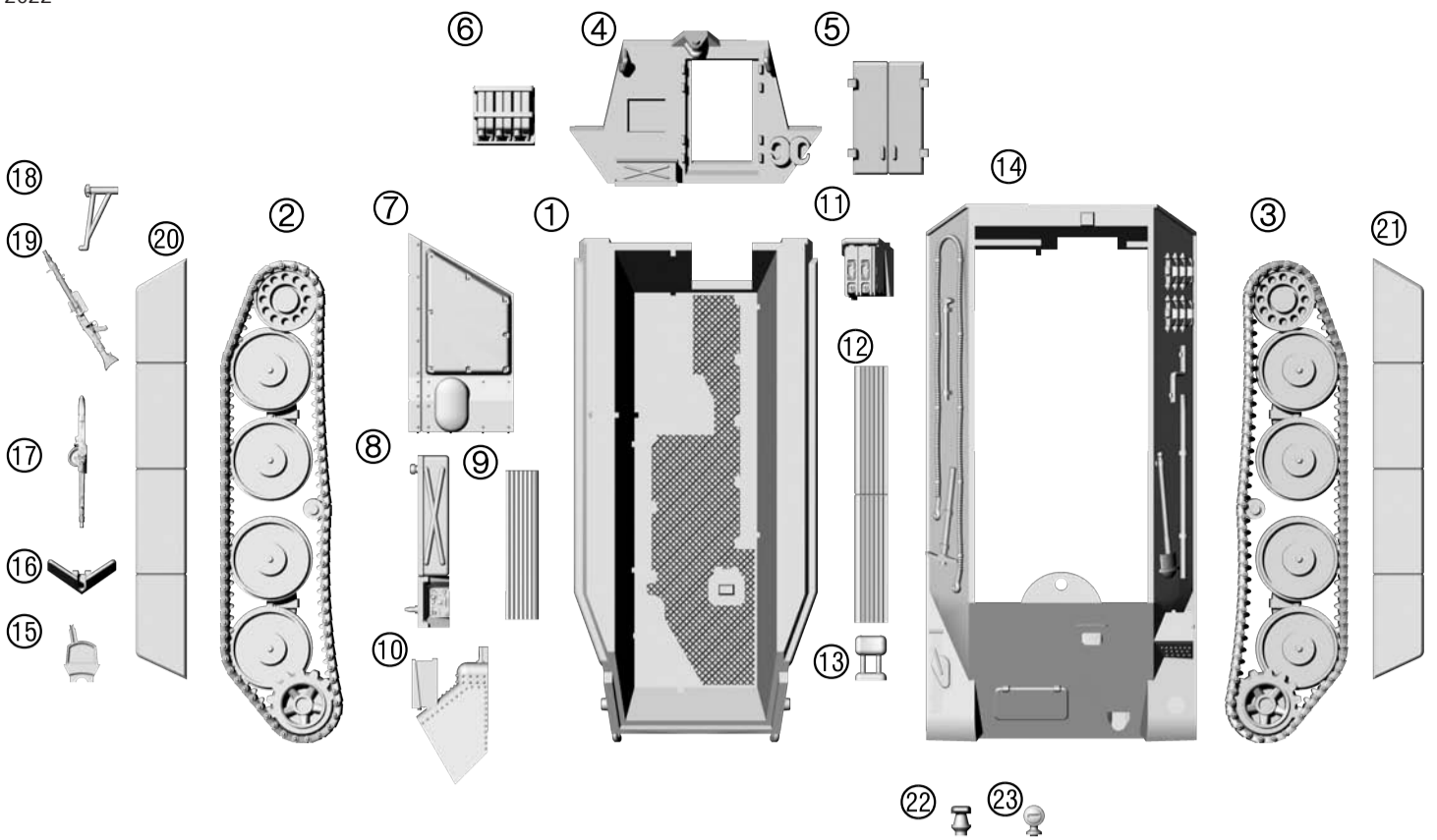




WWII German B.M.M Kätzchen 38t Assembly Instructions

https://www.overlordminiatures.com
Email: info@overlordminiatures.com
© 2022



Late model Ausf D with revised forward MG42 travel lock (Reisesicherung) attached to a frame secured underneath the cab roof. The previous travel lock design was a swinging arm arrangement attached beside the MG shield post.

The new travel lock's large frame enabled a large ammunition belt sack (Gurtsack) to be slung beneath it. A second smaller spent shell and belt catcher bag (Hülsefangsack) slotted into the MG42 mount, allowing the bag to move with the weapon, whilst dangling inside the big Gurtsack.

Drawing showing how the MG42 travel lock arm swung upwards to clamp the weapon behind the pistol grip, causing the weapon to remain elevated, unlike the earlier design.

Drawings & research © Copyright *Flippo* with assistance of Vana - www.detektorweb.cz

